

econ[®]

Econ[®] 3-piece Fire-safe Ball Valve



econosto[®]

Introduction

The Econ brand is designed to be a high-quality, reliable, yet competitively priced product to meet the valve requirements of many of today's growing markets.

The Econ three-piece, full-bore Fire-safe ball valve is no exception to this and provides an excellent option in applications where maximum flow capacity with minimum pressure drop is needed with the additional requirement that system integrity is maintained in the event of a fire.

It is low maintenance and easy to operate either with the hand lever or fitted with an electric or pneumatic actuator via the ISO5211 mounting pad. The highly polished, solid ball has a pressure relief hole in the stem slot to equalize the pressure in the body cavity, helping to ensure tight shut-off and long life.

The valve's double stem seal construction utilises an O-ring and spring loaded gland packing complies with the strict emission requirements for TA-LUFT approval. The ball, stem and body connection incorporates an anti-static feature and, with a blow-out proof stem, the product complies fully with the Pressure Equipment Directive 97/23/EC required for equipment in potentially explosive environments.

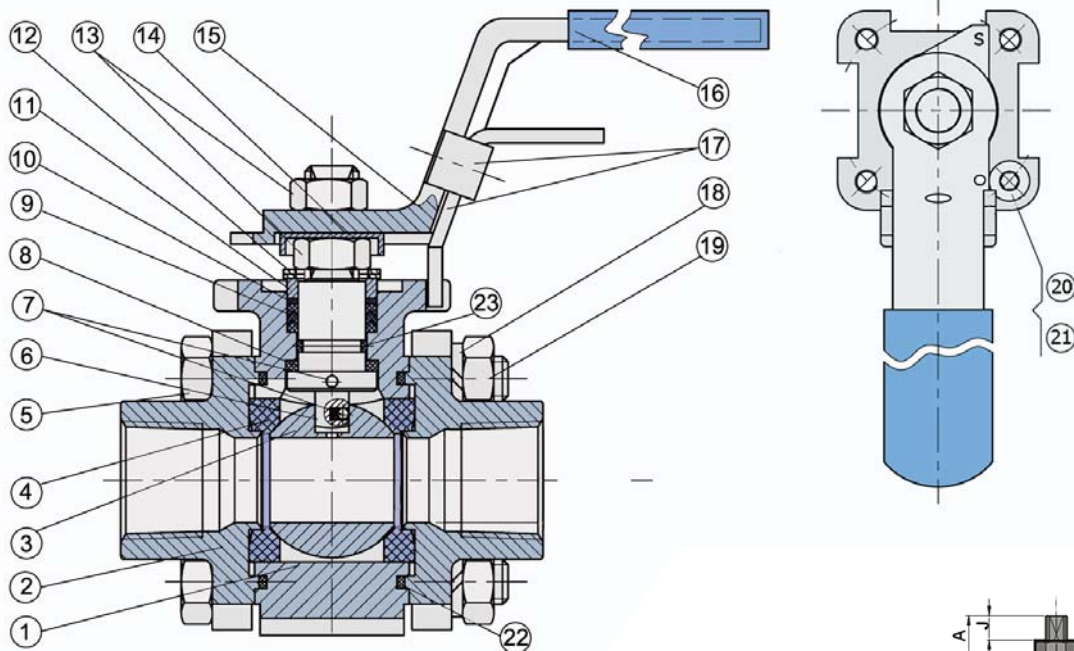
As with all Econosto UK supplied valves, the Econ three-piece Fire-safe valves can be supplied with material and test certification and can be modified or finished to customer's requirements.

Typical applications for this valve are those involving hazardous media or in environments such as gas, petrochemical or process plant, but it is suitable for a wide range of uses from compressed air to highly-flammable fuels.

econ®

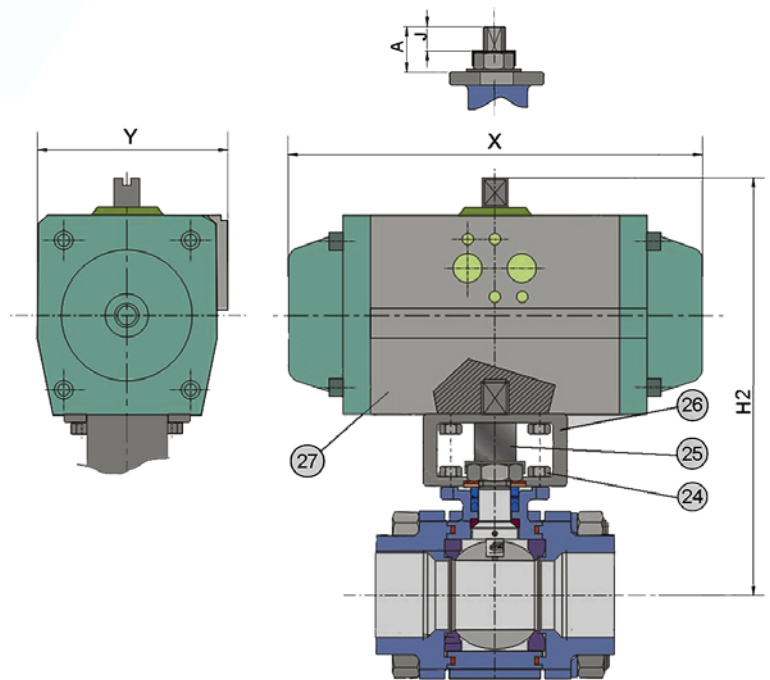


Parts and materials listing



No.	Part description	Materials	
1	Body	CF8M	LCC
2	Cap (thread)	CF8M	LCC
	Cap (weld)	CF8M	LCC
3	Ball	CF8M	
4	Seat	TFM4215	
5	Bolting	A193-B8	
6	Stem	SUS316	SUS304
7	Anti-static device	SUS316	SUS304
8	Thrust Washer	GRAFOIL	
9	Stem Packing	GRAFOIL	
10	Bushing	SUS304	
11	Gland	SUS316	
12	Belleville Washer	SUS301	
13	Stem Nut	A194-8	
14	Stop-Lock-Cap	SUS304	
15	Handle	SUS304	
16	Handle Sleeve	VINYL	
17	Lock device	SUS304	
18	Bolt Washer	SUS304	
19	Bolt Nut	A194-8	
20	Stop Bolt	A193-B8	
21	Stop Washer	SUS304	
22	Body Gasket	GRAFOIL	
23	O-ring	FKM	
24*	Hex Bolting	A193-B8	
25*	Stem Adaptor	SUS304	
26*	Mounting Bracket	SUS304	
27*	Actuator	Pneumatic or Electric	

*with actuator fitted

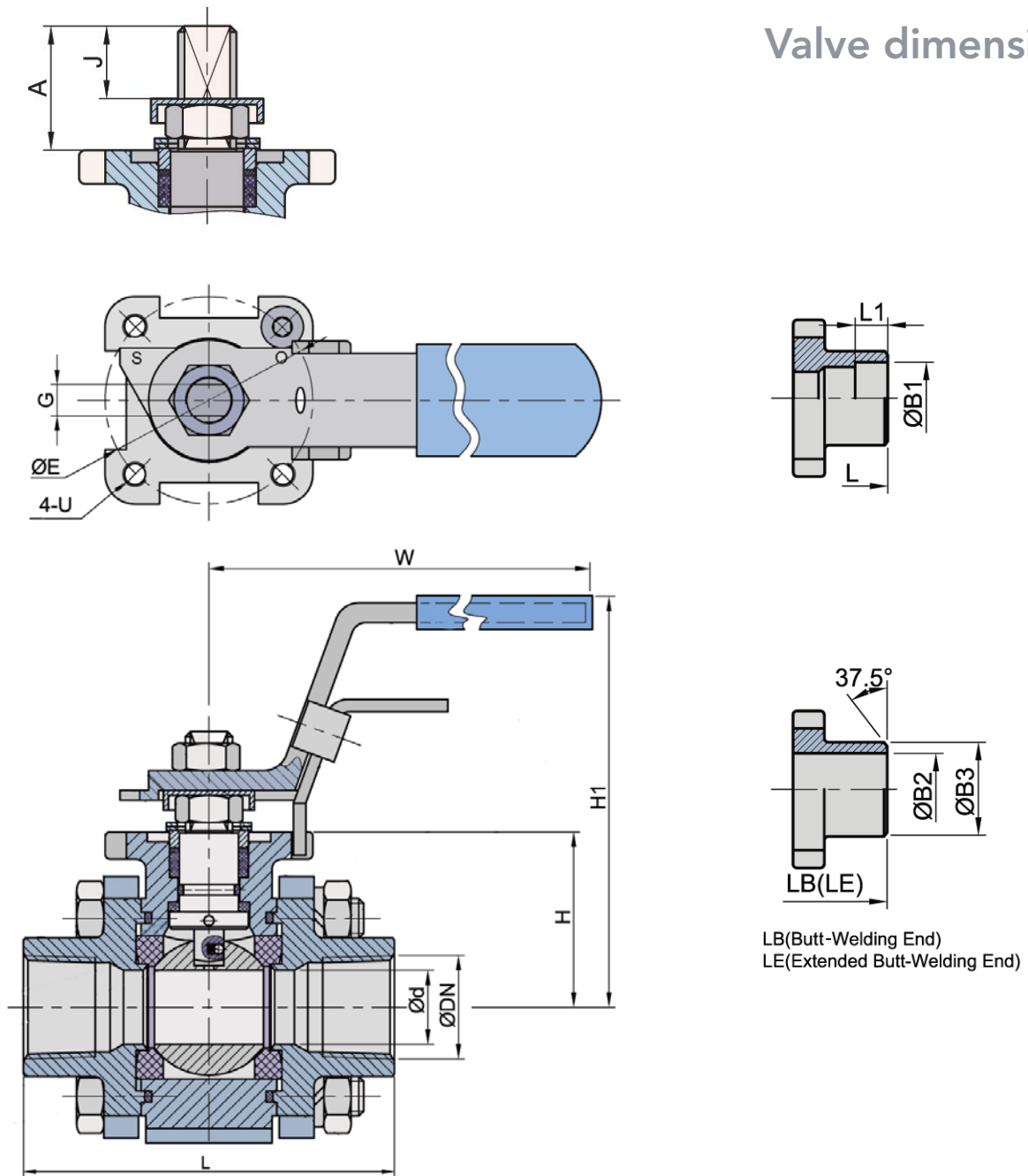


Additional dimensions/parts with actuator**					
SIZE	H2	X	Y	A	J
1/4"	164.5	144	72	17.3	10.4
3/8"	164.5	144	72	17.3	10.4
1/2"	170.5	144	72	20.3	11.8
3/4"	173.5	144	72	20.3	11.8
1"	193.5	208	96	23.3	12.5
1 1/4"	198.0	208	96	23.3	12.5
1 1/2"	228.5	248	108	23.8	15.1
2"	236.5	248	108	23.8	15.1

** dims may vary according to actuator type

3-piece Fire-safe Ball Valve

Valve dimensions

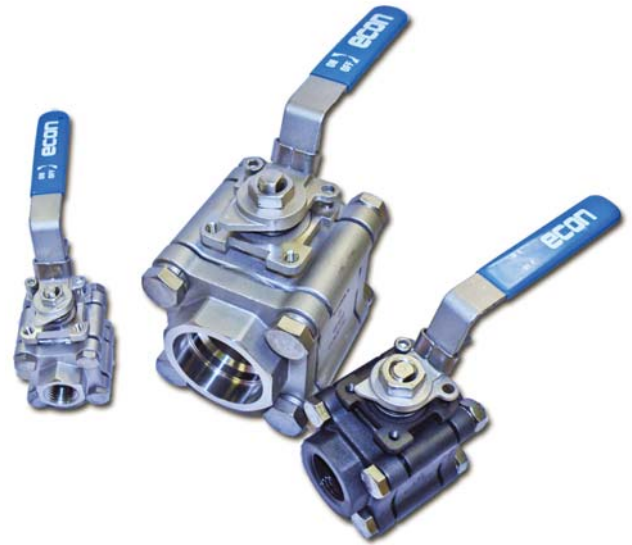


1500-2000 WOG Dims Table (valve sizes 1/4 inch to 1 inch 2000 WOG, 1 1/4 inch to 2 inch 1500 WOG, dims in mm)

SIZ	Ød	L	LB	LE	H	H1	W	ØE	G	U	A	J	L1	ØB1	ØB2	ØB3	DN
1/4	10.6	70.0	70.0	165.0	30.0	76.0	135.0	42.0	6.3	M5	17.3	10.4	11.0	14.0	7.6	18.0	NPT
3/8	12.7	70.0	70.0	165.0	30.0	76.0	135.0	42.0	6.3	M5	17.3	10.4	11.0	18.0	10.7	18.0	
1/2	15.0	75.0	75.0	165.0	36.0	83.0	135.0	42.0	6.3	M5	20.3	11.8	11.0	22.0	13.9	22.0	BSP
3/4	20.0	80.0	90.0	190.0	39.5	83.0	135.0	42.0	6.3	M5	20.3	11.8	13.0	27.5	18.8	28.0	PT
1	25.0	90.0	100.0	216.0	45.5	98.0	170.0	50.0	9.0	M6	23.3	12.5	13.0	34.5	24.3	34.0	etc
1 1/4	31.8	110.0	110.0	229.0	50.0	103.0	170.0	50.0	9.0	M6	23.3	12.5	13.0	43.0	32.5	43.0	
1 1/2	38.1	120.0	125.0	241.0	60.0	110.0	200.0	70.0	9.6	M8	23.8	15.1	13.0	48.6	38.1	50.0	
2	50.0	140.0	150.0	292.0	68.0	119.0	200.0	70.0	9.6	M8	23.8	15.1	16.0	61.2	49.2	61.0	

Features

- Fire-safe design and construction
- ISO 5211 Mounting pad for automation
- Anti-static Ball-Stem-Body device
- Blow-out proof stem
- Pressure balance hole in ball slot
- 2 Belleville washers to self-adjust packing
- TA-LUFT Design Approved
- Casting Approved by TUV AD2000 Merkblatt W0



- Design standards: ASME B16.34, API608
1/4" to 1" = 2000 WOG
1 1/4" to 2" = 1500 WOG
- Fire-safe: API607 5th 2005, ISO10497
- Wall Thickness: ASME B16.34 Class 800
- Pipe Thread: ASME B1.20.1, BS21, DIN2999/259,
SO228/1, JIS B0203, ISO 7/1
- Butt Weld: ASME B16.25
- Socket Weld: ASME B16.11
- Inspection & Testing: API 598, EN 12266

econosto®

Econosto UK Ltd has been supplying valves into industry since 1984. Part of the global Econosto Group with access to stock held in Europe and the Middle East as well as its UK warehouses, the company is well placed to provide the widest range of products on lead times unrivalled by other suppliers.

Primary markets are oil and gas, power generation, processing, petrochemical, marine and water and waste. The stock range includes ball, gate, globe, check, butterfly and knifegate valves and almost any valve can be supplied to special order. Services include modifications, painting, finishing, pressure or temperature testing, PMI testing and actuation options amongst others.

In 2008, Econosto was acquired by the ERIKS Group nv, opening up further market opportunities via new markets and synergies with the ERIKS product portfolio.

econosto.uk.com

An **ERIKS** Company

LEICESTER

(Head Office)
Econosto UK Ltd
Whiteacres
Whetstone
Leicester LE8 6ZG
UK
T: +44 (0)116 272 7300
E: sales@econosto.uk.com

ABERDEEN

Econosto UK Ltd
Blackness Road
Altens Industrial Estate
Aberdeen
AB12 3LH
UK
T: +44 (0)1224 898800
E: aberdeensales@econosto.uk.com

GLASGOW

Econosto UK Ltd
Arcadia Business Centre
Miller Lane
Clydebank
Glasgow G81 1UJ
UK
T: +44 (0)141 941 1900
E: glasgowsales@econosto.uk.com